



## CBS Workhead Contained Blast System Operations & Maintenance

CBS0015 - Workhead  
CBS0020 - Workhead Kit  
CBS0021- Workhead with Roller Kit



[www.Novatekco.com](http://www.Novatekco.com)

© Copyright 2014 by NOVATEK Corporation

All rights reserved printed in the United States of America. No part of this manual may be used or reproduced in any form or by any means, stored in data base or retrieval system, without prior written permission from NOVATEK Corporation.

Making copies of this manual for any purpose other than your own personal use is a violation of the United States copyright laws.

March 1, 2016 issue 1.0

**Specifications subject to changes without notice!**

If you have any questions, please contact us:

NOVATEK CORPORATION

254 Welsh Pool Rd

Exton, PA 19341

USA

[www.novatekco.com](http://www.novatekco.com)

Toll Free 866 563-7800

Telephone: +1 610 363-7800

Fax +1 610 935-1945

Email: [Sales@Novatekco.com](mailto:Sales@Novatekco.com)

# OPERATION AND MAINTENANCE MANUAL FOR CONTAINED BLAST SYSTEM WORKHEAD

## NOTICE

FOR PROFESSIONAL USE ONLY



## WARNING



**IMPORTANT SAFETY INFORMATION ENCLOSED.  
READ AND UNDERSTAND THIS MANUAL BEFORE OPERATING THIS PRODUCT.**

**IT IS YOUR RESPONSIBILITY TO MAKE THIS SAFETY INFORMATION  
AVAILABLE TO OTHERS THAT WILL OPERATE THIS PRODUCT.**

**FAILURE TO OBSERVE THE FOLLOWING WARNING COULD RESULT IN INJURY.**



### PLACING TOOL IN SERVICE

- Always install, operate, inspect and maintain this product in accordance with all applicable standards and regulations (local, state, country, federal, etc.).
- Compressed air models always use clean, dry air at 90 psi (6.2bar/620kPa) maximum air pressure at the inlet. Higher pressure may result in hazardous situations including excessive speed, rupture, or incorrect output torque or force.
- Electric models must always utilize proper gauge, and rated electrical cords with correct connections.
- Be sure all hoses and fittings are the correctly sized and secured.
- Ensure an accessible emergency shut off has been installed in the air or electrical supply line. Make others aware of its location.
- Do not use damaged, frayed, or deteriorated air hoses and fittings.
- Always use proper gauge electrical cords with correct connections. (When applicable.)
- Electric models must not use damaged, frayed, or deteriorated electrical cords and connections.
- Keep clear of whipping air hoses. Shut off the compressed air before approaching a whipping hose.
- Always turn off and disconnect the tool from its power supply before installing, removing or adjusting any accessory, or before performing any maintenance on the tool.
- Do not lubricate tools with flammable or volatile liquids such as kerosene, diesel or jet fuel. Use only recommended lubricants.
- Keep work area clean, uncluttered, ventilated and illuminated.
- Keep all electrical connections clear of water or other liquids. (When applicable.)
- Do not operate the machine while flammable or volatile liquids such as gasoline, diesel or jet fuel are present. Failure to do so can result in explosion. (When applicable.)
- Do not remove any labels. Replace any damaged label.

### USING THE TOOL

- Always wear protection when operating or performing maintenance on this tool.
- Always wear hearing protection when operating this tool.
- Always use Personal Protective Equipment appropriate to the tool used and material worked. This may include dust mask or other breathing apparatus, safety glasses, ear plugs, gloves, apron, safety shoes, hard hat and other equipment,
- Prevent exposure and breathing of harmful dust and particles created by power tool use:
  - Some dust created by power sanding, sawing, and grinding, drilling, and other construction activities contains chemicals known to cause cancer, birth defects or other reproductive harm. Some examples of these chemicals are:
    - Lead from lead based paints,
    - Crystalline silica from bricks and cement and other masonry products, and
    - Arsenic and chromium from chemically treated lumber
- Your risk from these exposures varies, depending on how often you do this type of work. To reduce your exposure to these chemicals: work in a well ventilated area, and work with approved safety equipment, such as those dust masks that are specially designed to filter out microscopic particles.
- Keep others a safe distance from your work area, or ensure they use appropriate Personal Protective Equipment.
- This tool is not designed for working in explosive environments, including those caused by fumes and dust, or near flammable materials.

- Electrically powered tools are not insulated against electric shock.
- Be aware of buried, hidden or other hazards in your work environment. Do not contact or damage cords, conduits, pipes, or hoses that may contain electrical wires, explosive gases or harmful liquids.
- Keep hands, loose clothing, long hair and jewelry away from working end of tool.
- Power tools can vibrate in use. Vibration, repetitive motions or uncomfortable positions may be harmful to your hands and arms. Stop using any tool if discomfort, tingling feeling or pain occurs. Seek medical advices before resuming use.
- Keep body stance balanced and firm. Do not overreach when operating this tool. Anticipate and be alert for sudden changes in motion, reaction torques, or forces during startup and operation.
- Tool and/or accessories may briefly continue their motion after throttle is released,
- To avoid accidental starting – ensure tool in “off” position before applying air pressure or connecting to electricity. Avoid throttle when carrying, and release throttle with loss of air or electricity.
- Ensure work pieces are secure. Use clamps or vises to hold work piece whenever possible.
- Do not carry or drag the tool by the hose or power cord.
- Do not use power tools when tired, or under the influence of medication, drugs, or alcohol.
- Never us a damaged or malfunctioning tool or accessory,
- Do not modify the tool, safety devices, or accessories.
- Do not use this tool for purposed other than those recommended.
- Use accessories recommended by Novatek Corp.
- Never operate a tool with an accessory unless it is properly installed and the tool is held firmly against the work,
- Always use a retainer, when furnished, in addition to proper barriers to protect persons in surrounding or lower areas from possible ejected accessories.
- When wearing gloves and operating models with inside trigger, always be sure that the gloves will not prevent the trigger from being released.
- Wear safety shoes, hard hat, safety goggles, gloves, dust mask and any other appropriate protective clothing while operating the tool.
- Do no indulge in horseplay. Distraction can cause accidents.
- Keep hands and fingers away from the throttle lever until it is time to operate the tool.
- Never rest the tool on your foot.
- Never point the tool at anyone.
- Compressed air is dangerous. Never point an air hose at yourself or others.
- Never blow clothes free of dust with compressed air.
- Be sure all hose connections are tight. A loose hose not only leaks but can come completely off the tool and while whipping under pressure, can injure the operator and other in the area. Attach safety cables to all hosed to prevent injury in case a hose is accidentally broken.
- Never disconnect a pressurized air hose. Always turn off the air supply and bleed the tool before disconnecting a hose.
- When applicable, the operator must keep limbs and body clear of the chisel. If a chisel breaks, the tool with the broken chisel projecting from the tool will suddenly surge forward.
- Do not ride the tool with one leg over the handle. Injury can result if the chisel breaks while riding the tool.
- Know what is underneath the material being worked. Be alert for hidden water, gas, sewer, telephone or electric lines.
- Use only proper cleaning solvents to clean parts. Use only cleaning solvents which meet current safety and health standards. Use cleaning solvents in a well ventilated area.
- Do not flush the tool or clean any parts with diesel fuel. Diesel fuel residue will ignite in the tool when the tool is operated, causing damage to internal parts. When using models with outside triggers or throttle levers, take care when setting the tool down to prevent accidental operation.
- Do not operate the tool with broken or damaged parts.
- Never start the tool when it is lying on the ground.
- This tool is not designed for working in explosive atmospheres.



## SECTION I

### GENERAL

This manual covers the operation and maintenance of the Contained Blast System Workhead. All aspects of safety, operation and maintenance covered in your Blast Pot Manual should be applied to the Workhead as required.

#### **READ ALL INSTRUCTIONS AND DATA IN THIS OPERATION AND MAINTENANCE MANUAL PRIOR TO OPERATION OF THIS EQUIPMENT.**

These instructions are for your protection and convenience. Please read them carefully since failure to follow the precautions could result in injury. Whenever using electric powered equipment, basic safety precautions should be followed.

If after reading this manual anything seems unclear, contact a **NOVATEK** authorized distributor or **NOVATEK** directly by dialing 1-866-563-7800.

## SECTION II

### WORKHEAD COMPLETE (CBS0015)

The Workhead Complete contains parts 1, 2, 3, 4, 5, 8, and 9 as shipped, is assembled and ready for use with the exception of the Nozzle, Blast Whip Hose and Vac Recovery Hose. (The last items listed are not supplied with the Workhead Complete.)

### WORKHEAD KIT (CBS0020)

The Workhead Kit contains parts 1, 2, 2a, 2b, 3, 4, 5, 5a, 5b, 6, 8, and 9 as shipped, is assembled and ready for use with the exception of the Blast Whip Hose and Vac Recovery Hose. (The last items listed are not supplied with the Work Head Complete.)

### WORKHEAD ASSEMBLY FOR OPERATION USE

- Cut the blast hose to a smooth perpendicular end with a suitable knife. (This cut end is screwed into the non-threaded end of the 3/4" nozzle holder (7) until the hose end reaches the start of the machines internal thread.
- The locking ring (4) is loosely assembled over the nozzle holder (7).
- The nozzle (6) and the locking ring assembly (3) is screwed into the nozzle holder until glove tight.
- This will ensure that the hose end and nozzle end seal are matted properly and sealed.
- The combined locking ring (4) and 3/4" nozzle holder/blast hose assembly are inserted into the Workhead and locked in place by means of the locking pin and three internal locking screws.
- The nozzle and assembly should swivel smoothly in the Workhead.
- Connect the 3" Vac Hose to the Workhead by means of a hose clamp.
- This completes the assembly for operation use.

**NOTE: Workhead will only work properly with 3/4" nozzle holder. If you are currently running any large sections of blasting hose a short whip hose will need to be purchased. Whip hose consists of 3/4" nozzle holder on one end and 3/4" Chicago fitting on the other end.**

## SECTION III

### SAFETY

The Workhead is designed for collecting hazardous waste products generated from coating removal operations. In order to properly operate the system effectively and safely, the following should be strictly adhered to.

1. Do not leave either the CBS Workhead or blast pot connected to a compressed air supply line. Turn off air and disconnect unit from the air line when it is not in use or before servicing.
2. Follow the procedures outlined in this manual for safe and efficient use of the system. Use only **Novatek's** recommended parts and attachments.
3. Do not operate with damaged parts. If the Workhead or blasting system is not working as specified due to parts failure or misuse, repair damaged parts or return to a distribution service center for inspection and repair as necessary.
4. Do not pull or carry the equipment by the air or vac lines, use the lines as hands, close the doors on lines, or pull the lines around sharp corners or edges. Keep the lines away from heated surfaces or other harsh environments.
5. Do not operate with any opening blocked. Keep vacuum flow path clear of debris for safe efficient operation. Do not operate system with vac lines not connected to the equipment to insure that harmful debris will not be ingested.
6. Keep hair, loose clothing, finger and all body parts away from the vacuum openings and moving parts of the tool while in operation.
7. Do not use without the proper amount of vacuum for containment.
8. Turn off all controls before disconnecting the air supply.
9. Do not use without approved safety restraints when operating on stairs, ladders, gantings, etc.
10. Do not use in areas where flammable or combustible liquids such as gasoline may be ingested into the vacuum lines.

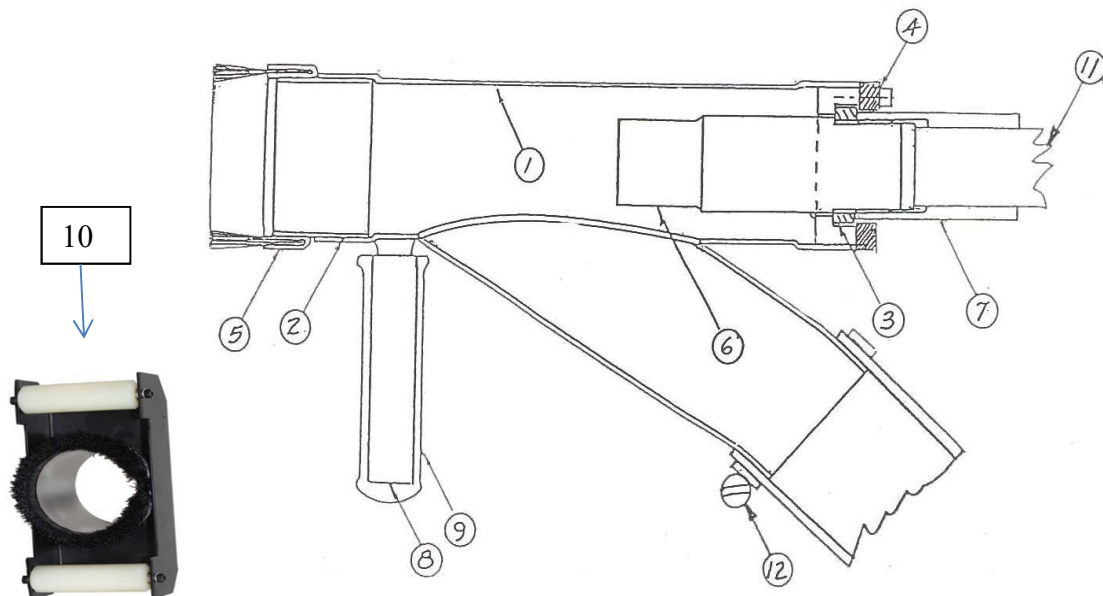
11. Hazardous waste generated during operation, must be managed in accordance with OSHA regulations to insure safe handling, equipment cleaning and containment in all respects.
12. Do not pull or carry the equipment by the air or vac lines, use the lines as hands, close the doors on lines, or pull the lines around sharp corners or edges. Keep the lines away from heated surfaces or other harsh environments.
13. Do not operate with any opening blocked. Keep vacuum flow path clear of debris for safe efficient operation. Do not operate system with vac lines not connected to the equipment to insure that harmful debris will not be ingested.
14. Keep hair, loose clothing, finger and all body parts away from the vacuum openings and moving parts of the tool while in operation.
15. Do not use without the proper amount of vacuum for containment.
16. Turn off all controls before disconnecting the air supply.
17. Do not use without approved safety restraints when operating on stairs, ladders, gantings, etc.
18. Do not use in areas where flammable or combustible liquids such as gasoline may be ingested into the vacuum lines.
19. Hazardous waste generated during operation, must be managed in accordance with OSHA regulations to insure safe handling, equipment cleaning and containment in all respects.

## SECTION IV

### WORKHEAD PARTS LIST

<u>REF #</u>	<u>PART #</u>	<u>DESCRIPTION</u>
-	CBS0015	WORK HEAD COMPLETE
-	CBS0020	WORK HEAD KIT
-	CBS0021	WORK HEAD w/Roller Kit
1	CBSA001	WORK HEAD BODY (STEEL)
2	CBSA032	INSERT SLEEVE (2" STEEL)
2a	CBSA033	INSERT SLEEVE (3" STEEL)
2b	CBSA034	INSERT SLEEVE (4" STEEL)
3	CBSA020	LOCATING RING (THREADS)
4	CBSA015	LOCKING RING W/HWD
5	CBSA030	BRUSH FLAT (3")
5a	CBSA028	BRUSH INSIDE CORNER (3")
5b	CBSA029	BRUSH OUTSIDE CORNER (3")
6	CBSA004	NOZZLE (4")
6a	CBSA006	NOZZLE (6")
7	CBSD005	NOZZLE HOLDER (3/4")
8	CBSA016	HANDLE (STEEL)
9	CBSA018	GRIP
10	CBS0016	WORKHEAD ROLLER ATTACHMENT

## Workhead Diagram



## NOVATEK CORPORATION LIMITED WARRANTY

The **TOOLS** manufactured/distributed by **Novatek Corporation** are warranted to be free from defects in material and workmanship for a period of **ONE YEAR** with the exception of Electric Drive Units, Electric Motors and Air Blowers - **6 months warranty applies on the electric components** from the date of purchase. This warranty does not apply to accessories or parts subject to normal wear.

This warranty applies only to **TOOLS** purchased new from **NOVATEK CORPORATION** or an authorized distributor. This warranty does not apply to any **TOOL** which has been abused, misused, modified or repaired by someone other than **NOVATEK CORPORATION** or its authorized repair center.

If a **TOOL** proves defective in material or workmanship within one year of purchase from **NOVATEK CORPORATION**, it should be returned to **NOVATEK CORPORATION**, transportation pre-paid. The return must be authorized by a **RETURN MERCHANDISE AUTHORIZATION NUMBER (R.M.A. #)** obtained from **NOVATEK CORPORATION** prior to returning the **UNIT**. All packages must show clearly on the outside the return merchandise authorization number. All packages received without any R.M.A. # on the outside will be refused by **NOVATEK CORPORATION** receiving department.

Warranty claims will only be considered upon adequate proof of date of purchase. **NOVATEK CORPORATION** will, at its option, **REPAIR or REPLACE DEFECTIVE PARTS**. Repairs or replacements are warranted as above for the remainder of the original warranty period. The sole liability of **NOVATEK CORPORATION** and the user's exclusive remedy under this warranty is limited to the repair or replacement of the defective product.

THERE ARE NO OTHER WARRANTIES EXPRESSED OR IMPLIED AND **NOVATEK CORPORATION** SHALL NOT BE LIABLE FOR INCIDENTAL, CONSEQUENTIAL OR SPECIAL DAMAGES OR ANY OTHER EXPENSES OR REPAIR OR REPLACEMENT AS DESCRIBED ABOVE.

All warranty claims should be forwarded to:

**NOVATEK CORPORATION**  
**254 Welsh Pool Rd**  
**Exton, PA 19341**

**ATTENTION: CLAIM AND SERVICE DEPARTMENT**  
**R.M.A. # \_\_\_\_\_**

**CALL Toll Free at 1-866-563-7800 for your RMA number prior to shipping.**

Also include a brief description of the problem as well as a phone number, contact name and return address in case **NOVATEK CORPORATION** service personnel has to get in contact with you.