



NovaStrip Heat Tile Machine

Operations & Maintenance

N100



www.Novatekco.com

© Copyright 2011 by NOVATEK Corporation

All rights reserved printed in the United States of America. No part of this manual may be used or reproduced in any form or by any means, stored in data base or retrieval system, without prior written permission from NOVATEK Corporation.

Making copies of this manual for any purpose other than your own personal use is a violation of the United States copyright laws.

March 1,2016 issue 1.0

Specifications subject to changes without notice!

If you have any questions, please contact us:

NOVATEK CORORATION

700 Schell Lane

Phoenixville, PA 19460

USA

www.novatekco.com

Toll Free 866 563-7800

Telephone: +1 610 363-7800

Fax +1 610 935-1945

Email: Sales@Novatekco.com

OPERATION AND MAINTENANCE MANUAL FOR

N100

NOTICE

FOR PROFESSIONAL USE ONLY



WARNING



**IMPORTANT SAFETY INFORMATION ENCLOSED.
READ AND UNDERSTAND THIS MANUAL BEFORE OPERATING THIS PRODUCT.
IT IS YOUR RESPONSIBILITY TO MAKE THIS SAFETY INFORMATION AVAILABLE TO
OTHERS THAT WILL OPERATE THIS PRODUCT.**

FAILURE TO OBSERVE THE FOLLOWING WARNING COULD RESULT IN INJURY.

PLACING MACHINE IN SERVICE

- Always install, operate, inspect and maintain this product in accordance with all applicable standards and regulations (local, state, country, federal, etc.).
- Always use proper gauge cord with correct connections.
- Be sure all cords are securely connected to the recessed male plug.
- Ensure an accessible emergency shutoff when your machine is connected to power. Make others aware of its location.
- Do not use damaged, frayed, or deteriorated electrical cords or connections.
- Do not leave machines in operation unattended.
- Keep all electrical connections clear of water or other liquid hazards.
- Always turn off and unplug AND COOL DOWN your machine before performing any maintenance.
- Do not operate the machine while flammable or volatile liquids such as gasoline, diesel or jet fuel are present. Failure to do so can result in explosion.
- Keep work area clean, uncluttered and illuminated.
- Do not remove any labels. Replace any damaged labels.

USING THE MACHINE

- Always wear protection when operating or performing maintenance.
- Always use Personal Protective Equipment appropriate to the work being performed. This may include dust mask or other breathing apparatus, safety glasses, ear plugs, gloves, apron, safety shoes, hard hat and other equipment.
- If applicable, prevent exposure and breathing of harmful dust and particles:
 - Some dust created by power sanding, sawing, and grinding, drilling, and other construction activities contains chemicals known to cause cancer, birth defects or other reproductive harm. Some examples of these chemicals are:
 - Lead from lead based paints,
 - Crystalline silica from bricks and cement and other masonry products, and
 - Arsenic and chromium from chemically treated lumber
 - Your risk from these exposures varies, depending on how often you do this type of work.
- Keep others a safe distance from your work area, or ensure they use appropriate Personal Protective Equipment.
- This machine is not designed for working in explosive environments, including those caused by fumes and dust, or near flammable materials.
- Ensure machine in "off" position before connecting to power.
- Do not carry or drag the machine by the cord.
- Do not operate or maintain the machine under the influence of medication, drugs, or alcohol.
- Never use a damaged or malfunctioning machines,
- Do not modify the machine, safety devices, or accessories.
- Do not use this machine for purposes other than those recommended.
- Only use accessories recommended by Novatek Corp.
- Whenever applicable, wear safety shoes, hard hat, safety goggles, gloves, dust mask and any other appropriate protective clothing in the work area.
- Do not indulge in horseplay. Distraction can cause accidents.
- Do not clean machine any parts with diesel fuel or any other petroleum distillates.
- Do not operate the machine with broken or damaged parts.
- This tool is not designed for working in explosive atmospheres.
- Use common sense. This machine operates under high temperatures. Do not move, touch, store, or perform maintenance until you are certain the machine is cool.



SECTION I

GENERAL..... 5
INTRODUCTION 6

SECTION II

PRIOR TO START-UP 6
START-UP 6

SECTION III

ROUTINE MAINTENANCE 7
CONTROL DESCRIPTION 7

SECTION IV

REMOVAL PROCEDURE..... 7

SECTION V

PARTS BREAKDOWN..... 8

SECTION VI

WIRING DIAGRAM..... 9

SECTION VII

SAFETY PROCEDURES..... 10
TROUBLESHOOTING 10
NOVATEK WARRANTY 11

SECTION I

GENERAL

This operation and maintenance manual is furnished with each EcoStrip unit. It outlines the general equipment use and the operation and maintenance requirements for efficient and safe operation.

It is very important for the operator to become familiar with the OSHA requirements for Asbestos tile removal.

READ ALL INSTRUCTIONS AND DATA IN THIS OPERATION AND MAINTENANCE MANUAL PRIOR TO OPERATION OF THIS EQUIPMENT.

These instructions are for your protection and convenience. Please read them carefully since failure to follow the precautions could result in injury. Whenever using electric powered equipment, basic safety precautions should be followed.

If after reading this manual anything seems unclear, contact a **NOVATEK** authorized distributor or **NOVATEK** directly by dialing 1-866-563-7800.

INTRODUCTION

The EcoStrip, a portable infrared heating unit designed and manufactured by **Novatek** which softens tile adhesive for complete, intact tile removal. This unit is capable of heating up one (1) 9" x 9" tile or one (1) 12" x 12" tile within a single pass.

The unit consists of a heat panel with individually wrapped heating elements, which are removable if damaged. This unit also includes a temperature control dial for accurate temperature control. It also features a built in timer allowing for optimum timing and safety control. The unit also utilizes a removable handle for ease of transportation and/or shipping.

The EcoStrip requires a 110/115v, single phase power source, which can be plugged into a standard outlet.

WARNING DO NOT use circuits exceeding specified voltage. Higher voltage will damage controls and could cause shock or fire hazards.

SECTION II

PRIOR TO START UP

Prior to tile removal with the EcoStrip provide the following:

- A. Make sure to clean all dirt and debris from the floor surface prior to tile removal.
- B. Whenever possible, strip excess wax and or coating build-up on floor surface.
- C. Familiarize yourself with all fire extinguishers, fire safety equipment, and emergency exits.
- D. Remove any dust, dirt or waxy residue build-up on heat panel surface.
- E. Remove any dust or dirt build-up on the controls and control panel.
- F. Make sure you have heat resistant gloves for the HOT tile removal.
- G. You might have to put on the handle if the unit was shipped to your location. When you put the handle on make sure to connect the power plug.

START-UP

- A. Position unit over a section of concrete to allow unit to heat to desired temperature. If concrete area is unavailable, position the unit over tile being removed.
- B. Check unit to make sure breaker switch is in the off position.
- C. Plug power cord into a grounded 20Amp outlet.
- D. Turn breaker switch to the ON position. The timer light will turn on to indicate the unit is heating.
- E. Heat panel will take about 15-20 minutes to heat to temperature.
- F. After 20 minutes, the timer will expire and the machine will shut off. The timer can be reset by tilting the unit towards the operator.

CAUTION: While heat panel is heating to temperature if positioned over tile, check the tile periodically to insure you are not over heating the tile. Unit may have to be moved to a new section of tile before unit is up to full temperature.

NOTE: Once the timer reached ZERO, the timer light will go OFF and the unit will need to be moved to reset the timer and heat the panel again.

SECTION III

ROUTINE MAINTENANCE

Inspect the unit for any loose or damaged parts prior to each use. Make sure that the power supply is off prior to inspection!

- Wipe the outside surfaces of the unit to remove accumulated dust or dirt. Clean out dust and dirt from electronics by means of compressed air. **NEVER USE SOLVENTS!**
- Periodic tests should be made to ensure timer and temperature controller are working properly.
- Clean face of heat panel daily by wiping surface with damp towel. This will help remove accumulated wax, dust or dirt build-up on face panel.
- Inspect the power connection to heat panel. Make sure connectors are secure to the power lines and that there are no bare wires showing. If connectors are loose or bare wires are showing electrical shock may occur.

CONTROL DESCRIPTION

On/Off Breaker Switch

- This has been included to cut power to the controls and heat panel immediately in case of an emergency. To re-activate the unit, the switch needs to be restored to the ON position.

Timer

- This unit features a built in precision timing controller. Once the unit is turned on, the timer will start a 20 minute process cycle. The process cycle will run out if the unit is not moved within a 20 minute period. The operator may choose to allow the process time to run out, which will shut off power to the heat panel, allowing the panel to cool to room temperature. The light will be lit when the timer is active.

Temperature Dial

- The temperature controller is pre-set from the factory allowing the operator to increase or decrease the set temperature valve. This will allow the operator to adjust the unit temperature to meet your specific application.

SECTION IV

REMOVAL PROCEDURE

At this point, the heat panel has heated to full temperature and is ready for heat application. The operator may use either the timer or the temperature controller as the main control source. Different floor characteristics such as the tile thickness, tile adhesive or just the material make up of the tile will result in different heat-up and removal time. A routine will quickly be established for each new removal application. The following is the procedure:

1. Place the EcoStrip over designated area of tile to be removed.
2. Pre-determine the amount of time needed to remove each tile.
3. Once time is reached, move the unit to a new section of tile to be removed.
4. While the unit is heating the new section of tile, remove the previous heated tile with a long reach scraper.
5. Once you have completed your removal application for the day, allow the time to reach zero or turn the power off. This will allow the heat panel to return to room temperature.
6. Place a block under the front of the unit's shroud. This will allow air to circulate under the shroud helping to accelerate the cooling process.
7. This unit is ready to be moved, once a temperature of 100°F or below is reached.
8. Disconnect plug from power source.

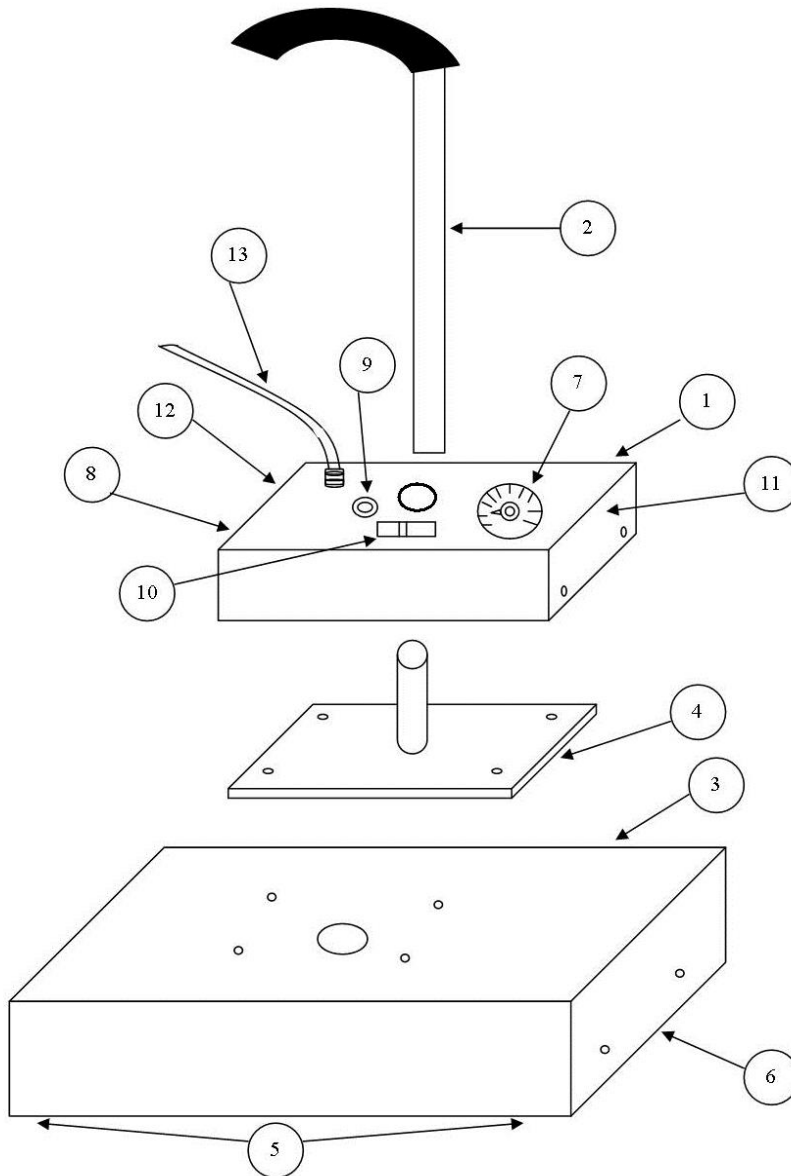
The EcoStrip has now hit the point where it can safely be transported.

WARNING The units shroud may still be hot! Move the unit with extreme caution, wear heat resistant gloves.

SECTION V

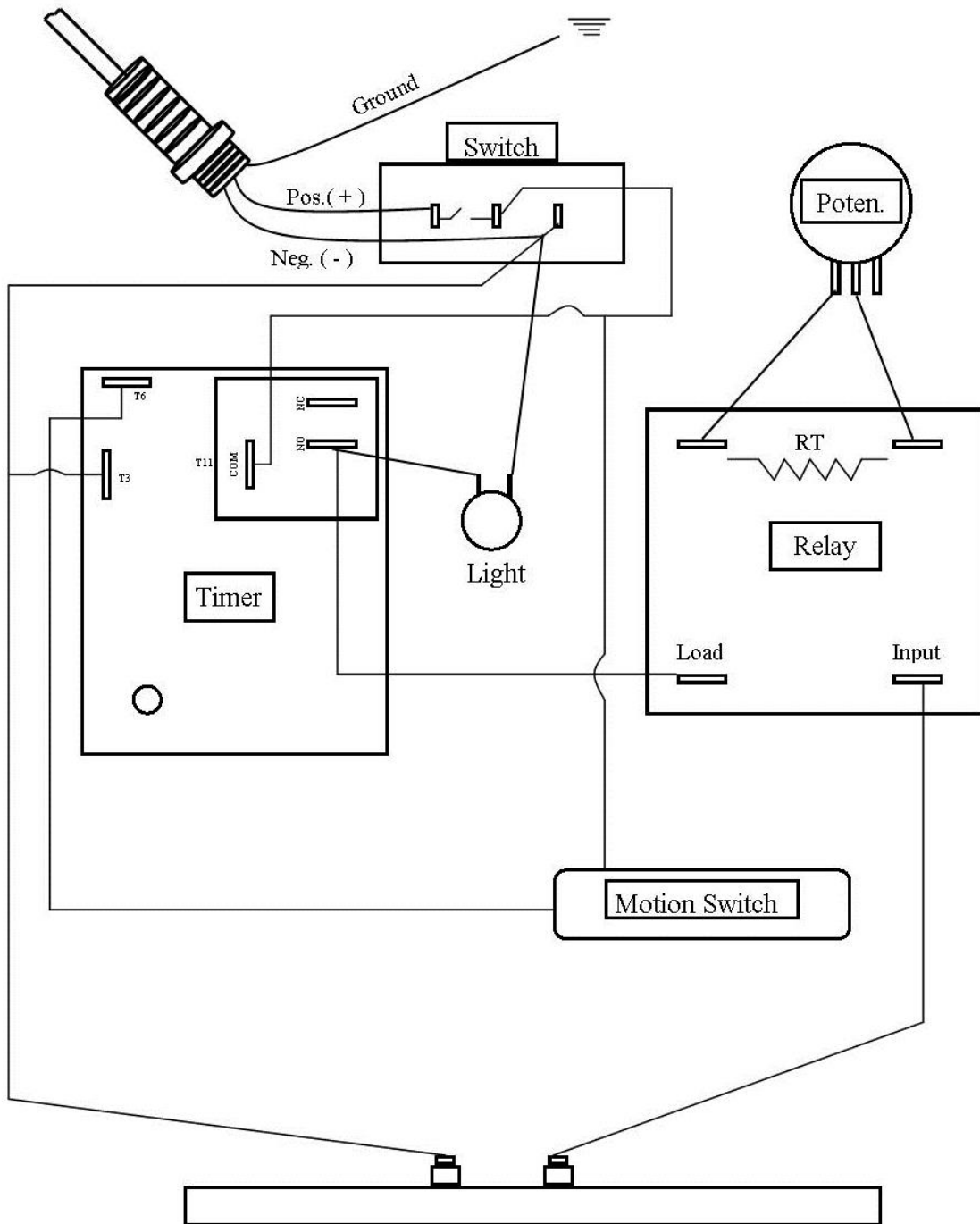
PARTS BREAKDOWN

Ref.	Part No.	Description
1	N/A	CONTROL PANEL
2	N108	HANDLE ASSEMBLY
3	N/A	BASE ASSEMBLY
4	N/A	HANDLE/BASE PLATE
5	N/A	PANEL RETAINER BRACKETS
6	N101	HEAT PANEL
7	N106	TEMPERATURE CONTROLLER
8	N103	TIMER (NOT SHOWN-BLACK)
9	F2040	TIMER LIGHT
10	N102	POWER / BREAKER SWITCH
11	N104	MOTION SWITCH (NOT SHOWN)
12	N105	RELAY (NOT SHOWN - BLUE)
13	N110	POWER CORD



SECTION VI

WIRING DIAGRAM



SECTION VII

SAFETY RULES

The EcoStrip is a highly efficient system designed to radiate heat through the tile to soften adhesive for tile removal. In order to properly operate this unit effectively and safely, the following safety precautions should be strictly adhered to:

1. Do not leave the unit unattended when connected to the power source. Turn OFF electric supply and disconnect from the power source each time the unit is not being used and or any time before servicing.
2. Do not operate with damaged and or malfunctioning parts. If unit is not working as specified in this manual do to misuse, repair damaged parts or return to **Novatek** or an authorized repair and service center.
3. Keep loose clothing and all body parts away from face of heat source and or heat shroud as unit gets extremely HOT!
4. Sweep tile surface and remove any excess build-up of wax residue prior to heating surface. This will help to eliminate any fumes and foul odors.
5. Turn off all controls before disconnecting from power source. This will help against control malfunctions.
6. Do not operate around flammable or combustible liquids or gasses.
7. Electric shock may occur if operated outdoors or on wet surfaces.
8. Never operate the unit in a manner where there is the possibility of physical contact with the heat panel.
9. It shall be the responsibility of the unit owner to insure that the equipment is maintained in a safe operating condition.
10. Never touch the heat panel during heating cycle as the panel surface gets extremely hot. Heat panel surface will stay hot even after unit is turned off for about a period of at least 30 minutes.

WARNING Failure to follow these rules and instructions could result in serious bodily injuries, serious malfunction of the unit, property damage or death. Read all rules and instructions carefully prior to initial use of the unit.

TROUBLESHOOTING

This unit has several features for your safety and convenience. Here are some troubleshooting and maintenance tips.

Timer light or breaker light does not turn on:

- Disconnect the power supply and remove the top control panel. Check for any loose or disconnected wires. If there are no signs of loose or disconnected wires, contact a **Novatek** service technician.

If the breaker switch and timer lights are light and the panel will not heat:

- The relay may need to be replaced. Check for loose or disconnected wires.

If the breaker switch is lit, but the timer light is not lit, and the panel will not heat:

- The timer controller may need to be replaced. Check for loose or disconnected wires.

Once the timer counts out after 20 minutes the unit will shut off:

- To reset timing mode or to continue un-interrupted power flow to panel, unit must be moved before 20 minutes are reached. If unit is moved before 20 minutes are reached the timer will reset to 20 minutes.

If the unit is heating up, but not reaching the set temperature:

- You may need to make sure that you have enough power supplied to the unit. If you do not have enough power supplied to the unit, it will not heat to optimal temperature.

NOVATEK CORPORATION LIMITED WARRANTY

The **TOOLS** manufactured/distributed by **Novatek Corporation** are warranted to be free from defects in material and workmanship for a period of **180 DAYS** from the date of purchase. This warranty does not apply to accessories or parts subject to normal wear.

This warranty applies only to **TOOLS** purchased new from **NOVATEK CORPORATION** or an authorized distributor. This warranty does not apply to any **TOOL** which has been abused, misused, modified or repaired by someone other than **NOVATEK CORPORATION** or its authorized repair center.

If a **TOOL** proves defective in material or workmanship within one year of purchase from **NOVATEK CORPORATION**, it should be returned to **NOVATEK CORPORATION**, transportation pre-paid. The return must be authorized by a **RETURN MERCHANDISE AUTHORIZATION NUMBER (R.M.A. #)** obtained from **NOVATEK CORPORATION** prior to returning the **UNIT**. All packages must show clearly on the outside the return merchandise authorization number. All packages received without any R.M.A. # on the outside will be refused by **NOVATEK CORPORATION** receiving department.

Warranty claims will only be considered upon adequate proof of date of purchase. **NOVATEK CORPORATION** will, at its option, **REPAIR or REPLACE DEFECTIVE PARTS**. Repairs or replacements are warranted as above for the remainder of the original warranty period. The sole liability of **NOVATEK CORPORATION** and the user's exclusive remedy under this warranty is limited to the repair or replacement of the defective product.

THERE ARE NO OTHER WARRANTIES EXPRESSED OR IMPLIED AND **NOVATEK CORPORATION** SHALL NOT BE LIABLE FOR INCIDENTAL, CONSEQUENTIAL OR SPECIAL DAMAGES OR ANY OTHER EXPENSES OR REPAIR OR REPLACEMENT AS DESCRIBED ABOVE.

All warranty claims should be forwarded to:

NOVATEK CORPORATION
700 Schell Lane
Phoenixville, PA 19460

ATTENTION: CLAIM AND SERVICE DEPARTMENT
R.M.A. # _____

CALL Toll Free at 1-866-563-7800 for your RMA number prior to shipping.

Also include a brief description of the problem as well as a phone number, contact name and return address in case **NOVATEK CORPORATION** service personnel has to get in contact with you.